

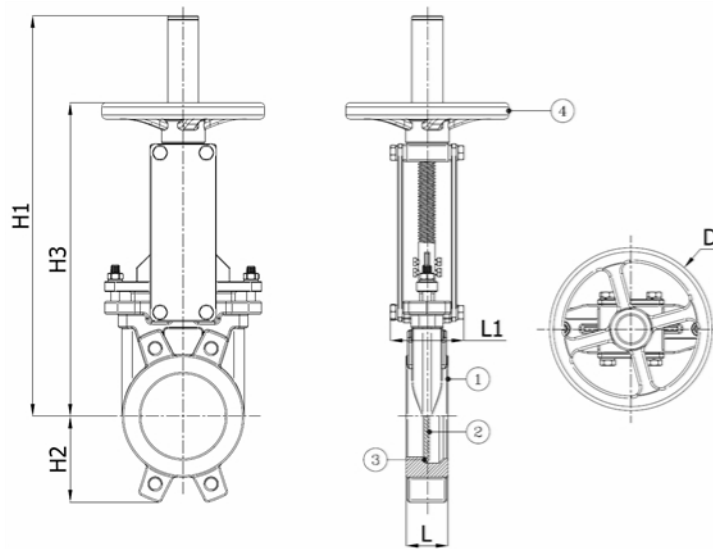
BV50A-2366E-PN10 - Handwheel

Knife gate valve, uni-directional, to be mounted between flanges PN10, with rising stem and non-rising handwheel

Face to Face Standard: Factory standard



Item Number	Belven Ref
50A2037E20080	BV50-2366E-PN10 DN080 - HANDWHEEL
50A2037E20100	BV50-2366E-PN10 DN100 - HANDWHEEL
50A2037E20150	BV50-2366E-PN10 DN150 - HANDWHEEL
50A2037E20200	BV50-2366E-PN10 DN200 - HANDWHEEL



DN/Size	D	H1	H2	H3	L	L1	Press.Cl.	Weight(kg)
DN80 (3")	200	480	90	334	50	90	PN10	10.00
DN100 (4")	200	520	105	374	50	90	PN10	11.50
DN150 (6")	250	650	135	465	60	100	PN10	18.80
DN200 (8")	300	820	170	582	60	120	PN10	34.00

Item 1	Item 2	Item 3	Item 4
Body Material	Gate Material	Seat Material	Actuator Material
Cast iron : GG25 + Epoxy coating	Stainless steel : AISI 316	EPDM	Cast iron : GG25